

SIGNAL TRANSMITTERS

FEATURES :

- ☞ Aux. Power AC 85~265V or DC 85~300V
- ☞ High Accuracy: $\pm 0.1\%$ Rated Output for DC Isolating, Current Loop Supply, Frequency to DC Isolating, Potentiometer, Level, Position Transmitter $\pm 0.2\%$ Rated Output for RTD, Thermocouple Transmitters.
- ☞ Input / Output User Selectable.
- ☞ PC Plastic, DIN Rail or Wall Mounting.
- ☞ High Dielectric Strength (AC1.5 KV, between Input / Output / Power.)



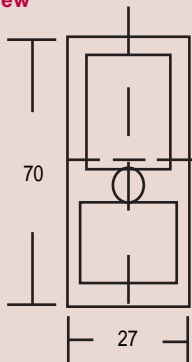
HIGH ACCURACY / STABILITY

Transmitters With Display And Alarm Outputs

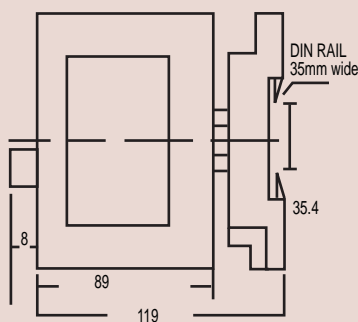
MODEL - TWD Industrial Process Transmitter

EXTERNAL DIMENSIONS

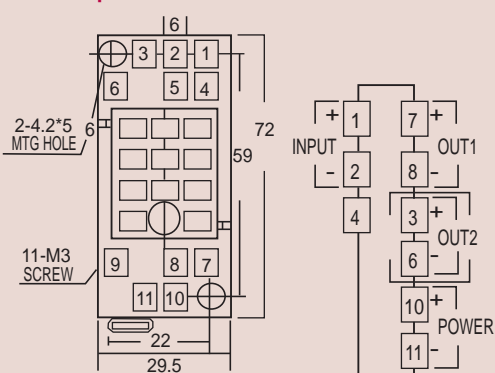
Front View



Side View



Top View



TYPES OF TRANSMITTERS

- ☞ DC Isolating Transmitter
- ☞ Current Loop Supply Isolating Transmitter
- ☞ Thermocouple Isolating Transmitter
- ☞ Frequency To DC Isolating Transmitter
- ☞ Potentiometer / Level / Position Transmitter
- ☞ Transmitters with Display and Alarm Outputs.
- ☞ Dual Output & 4 Output available.

SPECIFICATIONS

Insulation Resistance	>100M / DC 500V
Linearity & Repeatability	0.1 % Typical
Stability	0.2% / Year
Output Load	DC Current Mode : > 750 in output 20mA, DC Voltage Mode : 10mA Maximum
Dielectric Strength	AC 2 KV / Min, between Input / Output / Power
Common Mode Rejection	> 120dB DC to 60Hz.
Adjust Range	SPAN & ZERO $\pm 10\%$
Response Time	400mS
Ripple	0.1 % rms Rated Output
Temperature Coefficient	100ppm / °C from 0 ~ 60 °C; < 50ppm / 25°C $\pm 5^\circ\text{C}$
Operation Condition	-5°C ~ +55°C, 20 ~ 95% RH Non-Condensed.
Storage Condition	-10°C ~ + 70°C, 20 ! 95% RH Non-Condensed
Aux. Power	AC / DC 85 ~ 265V or DC 24V $\pm 10\%$
Aux. Power Effect	< 0.03 % / V
CE Conformity	EMI : EN61000-6-4 EMS : EN61000-6-2 LVE : EN61010-1
Housing Material	Non-Combustable PC Products, compliance with UL 94 CLASS V-0
Mounting	DIN Rail or Wall Mounting.
Dimensions	27mm(W) x 119mm(H) x 72mm(L)

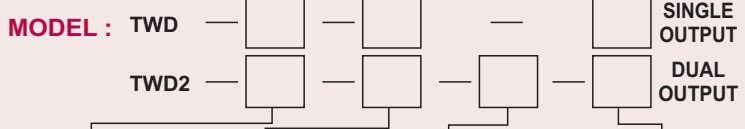
All specifications are subject to change without prior notice.

DC ISOLATING TRANSMITTER MODEL - TWD, TWD2

SPECIFICATIONS :

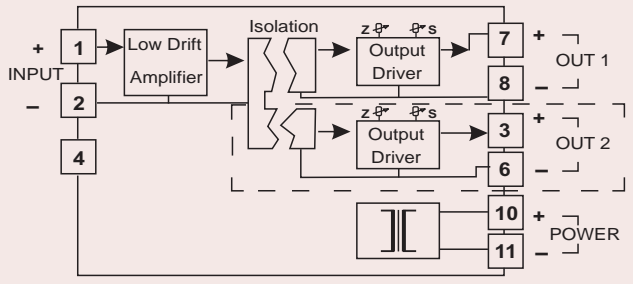
Input Impedance : Voltage Input 1 M Ω , Current Input 50 μ A .

Input Protection : 2V DC 300V rms Continuous;
2V DC 150V rms Continuous, 20mA DC 150mA Continuous.

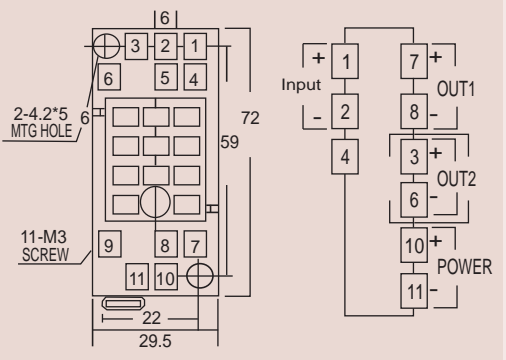
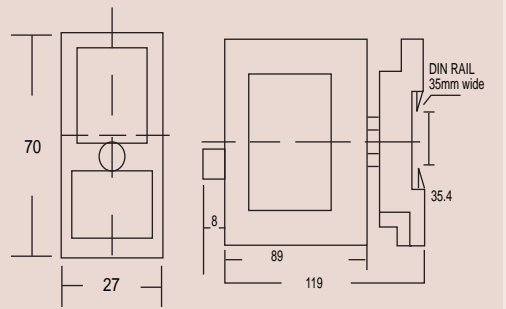


	INPUT	OUTPUT 1	OUTPUT 2	AUX. POWER
A	DC 0 ~ 10mA	A DC 0 ~ 10mA	A DC 0 ~ 10mA	C DC 24V
B	DC 0 ~ 20mA	B DC 0 ~ 20mA	B DC 0 ~ 20mA	F AC 85 ~ 265V
C	DC 4 ~ 20mA	C DC 4 ~ 20mA	C DC 4 ~ 20mA	DC 85 ~ 300V
D	DC 0 ~ 5 V	D DC 0 ~ 5 V	D DC 0 ~ 5 V	(AC & DC Share)
E	DC 1 ~ 5 V	E DC 1 ~ 5 V	E DC 1 ~ 5 V	
F	DC 0 ~ 10V	F DC 0 ~ 10V	F DC 0 ~ 10V	
Y	OTHER	Y OTHER	Y OTHER	Y OTHER

SCHEMATIC CIRCUITRY & CONNECTION DIAGRAM :



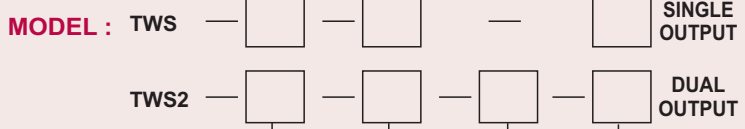
EXTERNAL DIMENSIONS : mm



CURRENT LOOP SUPPLY ISOLATING TRANSMITTER MODEL - TWS, TWS2

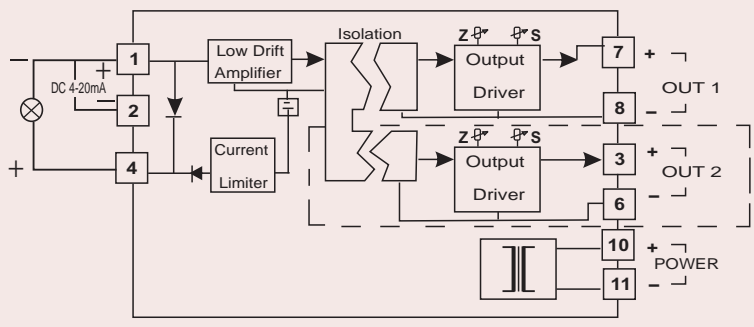
SPECIFICATIONS :

Input Impedance : Voltage Input 1 M Ω , Current Input 50 μ A .

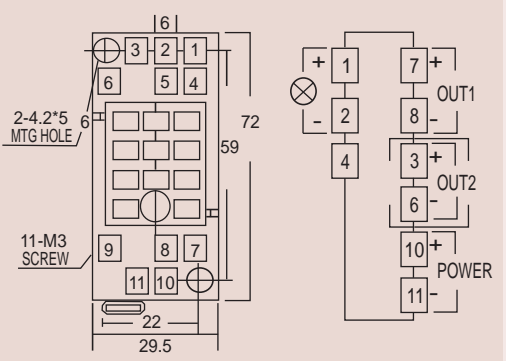
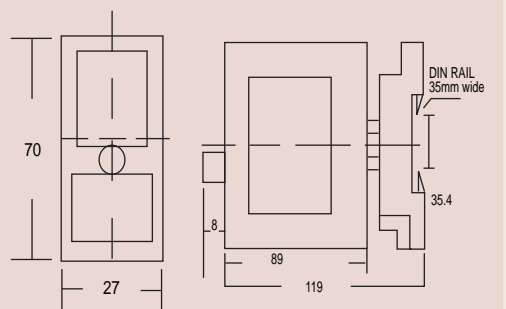


	INPUT	OUTPUT 1	OUTPUT 2	AUX. POWER
A	DC 4 ~ 20mA EXT DC 24V	A DC 0 ~ 10mA	A DC 0 ~ 10mA	C DC 24V
B		B DC 0 ~ 20mA	B DC 0 ~ 20mA	F AC 85 ~ 265V
C		C DC 4 ~ 20mA	C DC 4 ~ 20mA	DC 85 ~ 300V
D		D DC 0 ~ 5 V	D DC 0 ~ 5 V	(AC & DC Share)
E		E DC 1 ~ 5V	E DC 1 ~ 5V	
F		F DC 0 ~ 10V	F DC 0 ~ 10V	
Y		Y OTHER	Y OTHER	Y OTHER

SCHEMATIC CIRCUITRY & CONNECTION DIAGRAM :



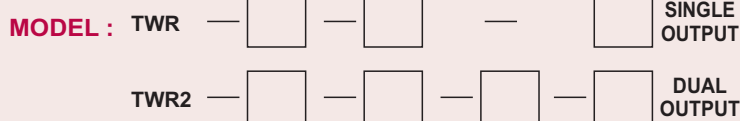
EXTERNAL DIMENSIONS : mm



RTD ISOLATING TRANSMITTER MODEL - TWR, TWR2

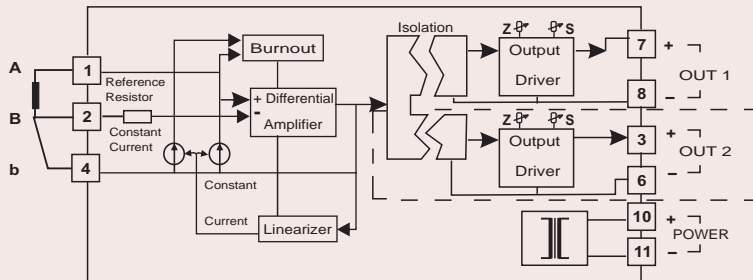
SPECIFICATIONS :

Input Impedance : Voltage Input 1 M , Current Input 50 .

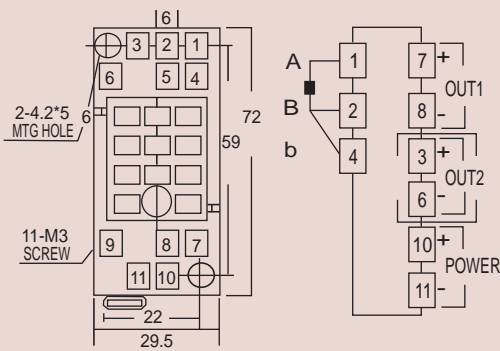
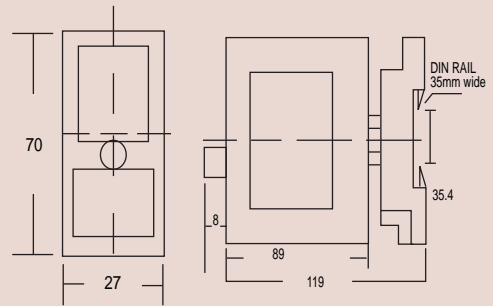


	INPUT	OUTPUT 1	OUTPUT 2	AUX. POWER
A	PT100W 3 Wire	A DC 0 ~ 10mA	A DC 0 ~ 20mA	C DC 24V
B	-100~400°C/	B DC 0 ~ 20mA	B DC 0 ~ 20mA	F AC 85 ~ 265V
C	-150~800°F	C DC 4 ~ 20mA	C DC 4 ~ 20mA	DC 85 ~ 300V
		D DC 0 ~ 5 V	D DC 0 ~ 5 V	(AC & DC Share)
		E DC 1 ~ 5V	E DC 1 ~ 5V	
		F DC 0 ~ 10V	F DC 0 ~ 10V	
Y	OTHER	Y OTHER	Y OTHER	Y OTHER

SCHEMATIC CIRCUITRY & CONNECTION DIAGRAM :

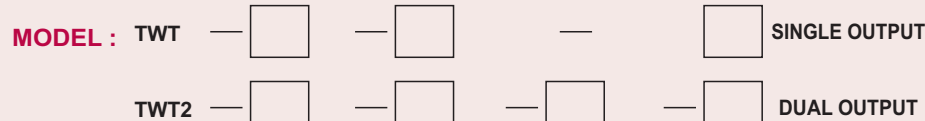


EXTERNAL DIMENSIONS : mm



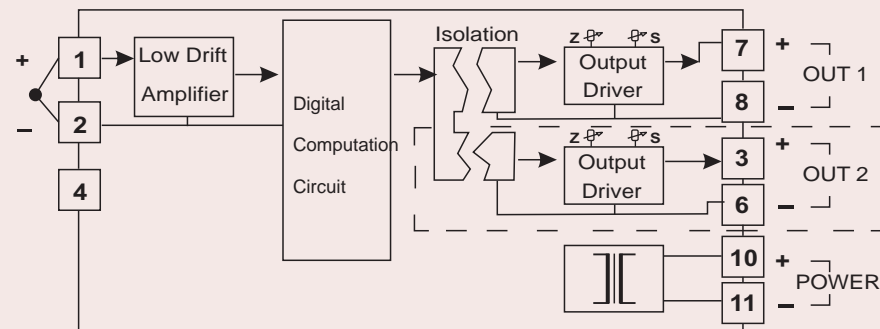
THERMOCOUPLE ISOLATING TRANSMITTER MODEL - TWT, TWT2

SPECIFICATIONS : Cold-Point Compensation : 0.03°C / °C, from 0 ~ 40°C

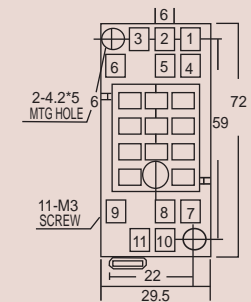
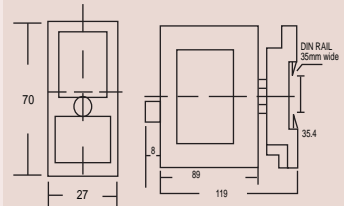


	INPUT	OUTPUT 1	OUTPUT 2	AUX. POWER
K	K Type..-270~1370°C/ -520~2500°F	A DC 0 ~ 10mA	A DC 0 ~ 10mA	C DC 24V
E	E Type..-270~800°C/ -520~1500°F	B DC 0 ~ 20mA	B DC 0 ~ 20mA	F AC 85 ~ 265V
J	J Type..-210~700°C/ -410~1300°F	C DC 4 ~ 20mA	C DC 4 ~ 20mA	DC 85 ~ 300V
T	T Type..-210~400°C/ -410~760°F	D DC 0 ~ 5 V	D DC 0 ~ 5 V	(AC & DC Share)
R	R Type..0~1700°C/ 32~3100°F	E DC 1 ~ 5V	E DC 1 ~ 5V	
S	S Type..0~1700°C/ 32~3100°F	F DC 0 ~ 10V	F DC 0 ~ 10V	
B	B Type..0~1750°C/ 32~3200°F	Y OTHER	Y OTHER	Y OTHER

SCHEMATIC CIRCUITRY & CONNECTION DIAGRAM :



EXTERNAL DIMENSIONS : mm

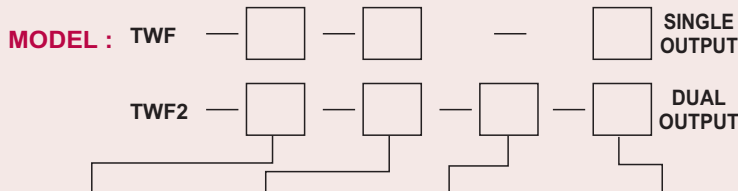


All specifications are subject to change without prior notice.

FREQUENCY TO DC ISOLATING TRANSMITTER MODEL - TWF, TWF2

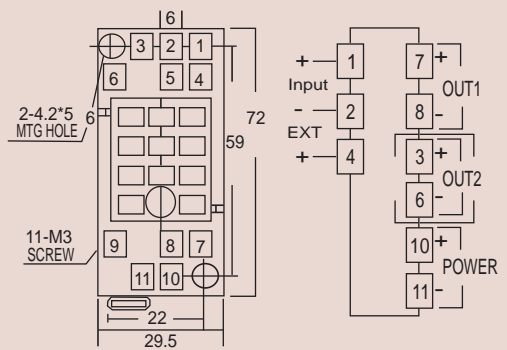
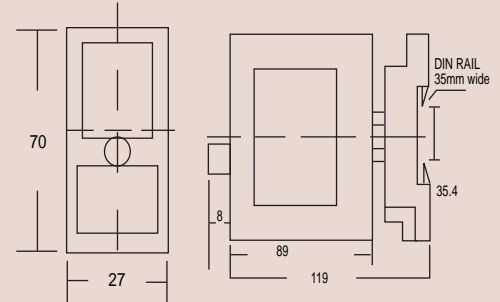
SPECIFICATIONS :

- Addition Power :** DC 12V, 30mA Maximum.
- Measuring Range :** 50Hz ~ 20KHz User Selectable.
- Input Type :** Open Collect DC 12V, 3mA.
Voltage Pulse 2VP-P ~ 50V P-P.
Relay Contact DC 12V, 3mA.
- Cold-Point Compensation :** 0.03°C/°C, from 0 ~ 40°C.

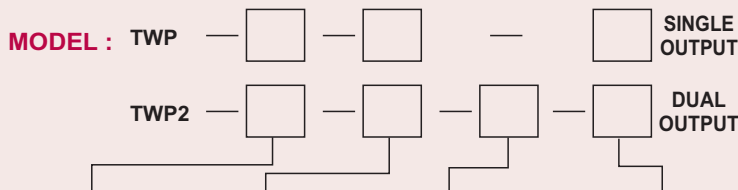


	INPUT	OUTPUT 1	OUTPUT 2	AUX. POWER
A	Open Collect	A DC 0 ~ 10mA	A DC 0 ~ 10mA	C DC 24V
B	Voltage Pulse	B DC 0 ~ 20mA	B DC 0 ~ 20mA	F AC 85 ~ 265V
C	Relay Contact	C DC 4 ~ 20mA	C DC 4 ~ 20mA	DC 85 ~ 300V
		D DC 0 ~ 5 V	D DC 0 ~ 5 V	(AC & DC Share)
		E DC 1 ~ 5V	E DC 1 ~ 5V	
		F DC 0 ~ 10V	F DC 0 ~ 10V	
Y	OTHER	Y OTHER	Y OTHER	Y OTHER

EXTERNAL DIMENSIONS :

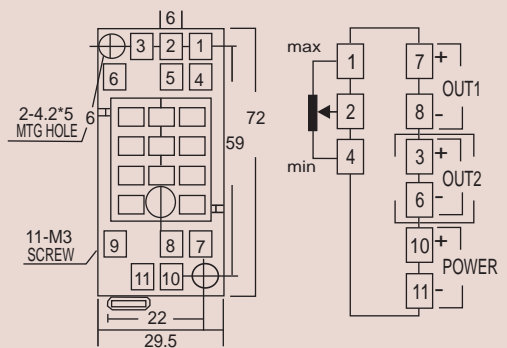
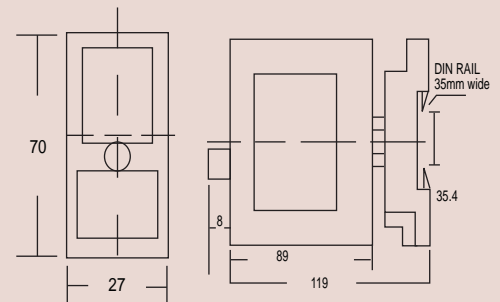


POTENTIOMETER - LEVEL - POSITION TRANSMITTER MODEL - TWP, TWP2



	INPUT	OUTPUT 1	OUTPUT 2	AUX. POWER
A	200 ~10K	A DC 0 ~ 10mA	A DC 0 ~ 10mA	C DC 24V
		B DC 0 ~ 20mA	B DC 0 ~ 20mA	F AC 85 ~ 265V
		C DC 4 ~ 20mA	C DC 4 ~ 20mA	DC 85 ~ 300V
		D DC 0 ~ 5 V	D DC 0 ~ 5 V	(AC & DC Share)
		E DC 1 ~ 5V	E DC 1 ~ 5V	
		F DC 0 ~ 10V	F DC 0 ~ 10V	
Y	OTHER	Y OTHER	Y OTHER	Y OTHER

EXTERNAL DIMENSIONS : mm



SCHEMATIC CIRCUITRY & CONNECTION DIAGRAM :

